

**Pressure Gauges / Accurate Pressure Gauges / Stainless Steel Types / Ø 100 mm.**
**CONSTRUCTIVE PROPERTIES**

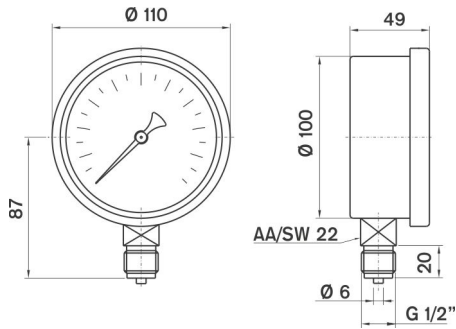
	STANDARD	OPTIONAL
Mounting Type	Bottom Connection	See Technical Drawing
Scale Unit	bar/psi	bar   psi   kg/cm <sup>2</sup>
Scale Range (PN)	0/0,6   0/1   0/1,6   0/2,5   0/4   0/6   0/10   0/16   0/25   0/40   0/60   0/100   0/160   0/250   0 - 315   0/400   0/600   0 - 1000	
Vacuum Scale Range	-1 / 0   -1 / +0,6   -1 / +1,5   -1 / +3   -1 / +5   -1 / +9   -1 / +15   -1 / +24	
Case	Stainless Steel AISI-304	Stainless Steel AISI-316L
Bezel	Stainless Steel AISI-304	Stainless Steel AISI-316L
Window	Safety Glass	Polycarbonate
Movement	Stainless Steel AISI-304	Vib-lock Movement
Wetted Parts	Stainless Steel AISI-316L	Monel 400
Connection	G 1/2" B	1/2" NPT
Dial	Aluminum	-
Pointer	Aluminum	Adjustable AISI -304   Adjustable Aluminum
Welding	Special Welding	-


**MH100DLS1**  
 Bottom Connection

**USAGE PROPERTIES**

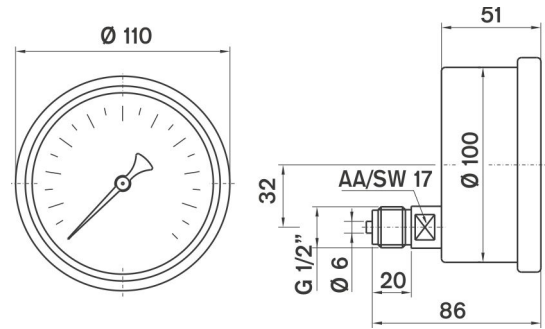
Fluid Temperature	Maximum + 200 °C	-
Ambient Temperature	- 20 ... + 60 °C	-
Operating Pressure (max.)	Must not exceed full scale.	
Over Pressure Limit	F.S. x 1,3	-
Accuracy Class	CL 1.0	CL 0.5
Protection Rate	IP 65	IP 68
Optimum Operating Range	Between 0,0 x PN and 1,0 x PN	
Storage Temperature	-40 ... +70 °C	-
Conformity	EN 837 - 1	-
Mechanical Shock Test Load	15g	-
Mechanical Vibration Test	10 Hz ile 150 Hz -1 oktav/dk. 2s / 3 eksende	

Pressure Gauges / Accurate Pressure Gauges / Stainless Steel Types / Ø 100 mm.



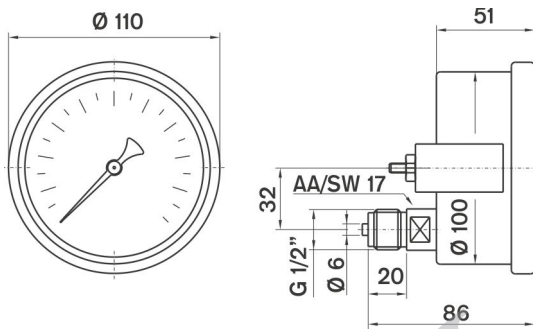
Model No: MH100DLS1

Bottom Connection



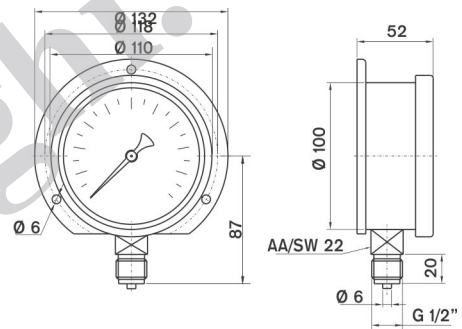
Model No: MH100DLS4

Lower Back Connection



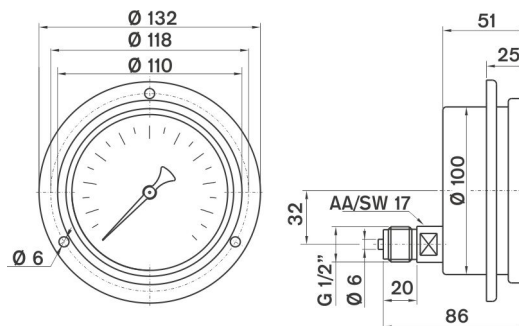
Model No: MH100DLS5

Lower Back Panel Mount Connection



Model No: MH100DLS6

Bottom Connection with Back Flange



Model No: MH100DLS8

Lower Back Connection with Front Flange